

PRODUCT SPECIFICATIONS

For current product specifications, please go to www.griffin-stands.com and type the model number into the search bar. Locate the product listing to view the current factory specifications.

TROUBLE SHOOTING

Performance Issue, Uneven or Unstable- Make sure all nuts and bolts are tight on the product. If they are, then loosen all nuts and bolts 1 full turn counter-clockwise, then go back and tighten each bolt only ½ turn tight. Then do a final tighten turn for another ½ turn tight. Next, Make sure there are not any missing nuts or bolts. Third, ensure all parts on the product are not broken or defective. Finally, Re-read the assembly instructions or watch the product demonstration video to ensure you have correctly assembled or are using the product properly with factory specifications.

Missing Parts- The pictures, videos and images shown in this manual might have changed style or count due to the product being redesigned. So in rare cases the part may no longer be included or of a different style. However, if you think you are missing a part that is necessary to the assembly and use of your product, then first carefully double check all packaging for any parts you think are missing. Some parts might be hiding in the packaging or loose in an inner box.

COMPANY INFORMATION AND SUPPORT

THANK YOU FOR YOUR PURCHASE

Thank you for purchasing the Griffin Remote Hi-Hat Stand. Your product comes with a 1 year factory warranty from purchase date. Please read all assembly instructions prior to assembling your new cart. Pictures that may aid in assembly can be found by going to www.griffin-stands.com and typing H40R into the search bar.

Griffin™ stands and accessories are manufactured in several innovative factories responsible for developing products that address the newest needs and trends of the current market. We take pride in the Griffin™ brand and endeavor to be on the forefront of the musical stands and musical and lighting accessories market.



Griffin | 11408 Hwy 64 W, Tyler, TX 75704 |
info@griffin-stands.com | www.Griffin-Stands.com



User Manual Model# H40R



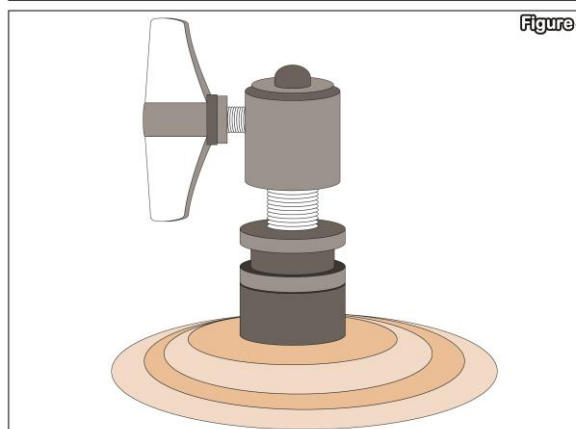
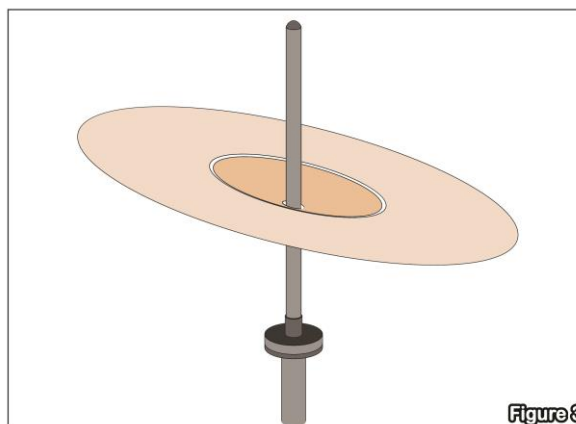
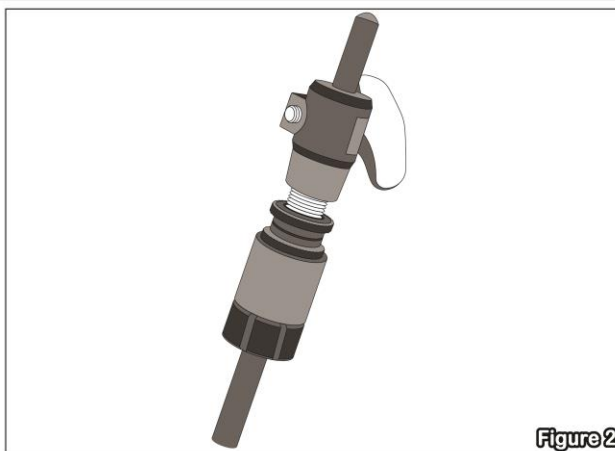
Remote Hi-Hat Stand

ASSEMBLY INSTRUCTIONS

Step 1 – To set up, adjust the tension to your preferred setting as seen on **Figure 1**. A higher number represents a tighter tension, while a lower number is of a lower tension.



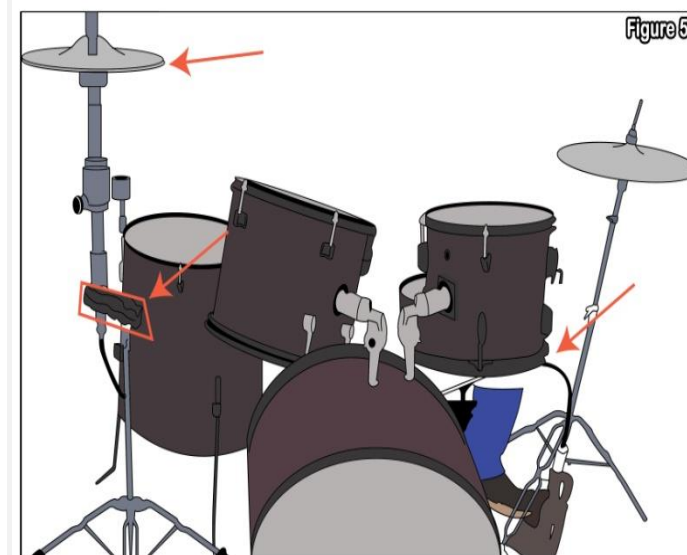
Step 2 – Unscrew the top wing nut remove the hi-hat clutch, place your bottom cymbal over the cymbal seat and the top cymbal seat on the hi-hat clutch. Place the whole assembly back and adjust the hi-hat clutch to your preferred distance over the bottom cymbals (See **Figure 2** and **3**) and tighten the wing nut. (See **Figure 4**)



Step 3 – On the hi-hat pedals there are 2 floor spikes that can be screwed up and down to prevent the pedal from slipping, to add grip to the floor, screw it down on both side depending on the floor and your preference as well.

Step 4 – For safety reasons, please always make sure to test the stability and safety of the product before use. Double check all nuts and bolts, knobs and connectors, make sure that these are tight and securely fastened before use of your product. Test the product under light use or light loads the first time to confirm assembly and structure of the product is correct.

Step 5 – Please note that an adaptor is needed to attach this onto a stand, see **Figure 5**. Also make sure that the cable is not tangled up and/or kinks present during use. While this is designed to have some curve in the cable, the cable inside the cable housing must be able to move freely.



ASSEMBLY AND DEMONSTRATION VIDEO

Please scan the QR Code below for the product demonstration video. Or go to the URL shown here and find the product video. www.Griffin-Stands.com/Videos

