

PRODUCT SPECIFICATIONS

For current product specifications, please to go www.griffin-stands.com and type the model number into the search bar. Locate the product listing to view the current factory specifications.

TROUBLE SHOOTING

Performance Issue, Uneven or Unstable- Make sure all nuts and bolts are tight on the product. If they are, then loosen all nuts and bolts 1 full turn counter-clockwise, then go back and tighten each bolt only ½ turn tight. Then do a final tighten turn for another ½ turn tight. Next, Make sure there are not any missing nuts or bolts. Third, ensure all parts on the product are not broken or defective. Finally, Re-read the assembly instructions or watch the product demonstration video to ensure you have correctly assembled or are using the product properly with factory specifications.

Missing Parts- The pictures, videos and images shown in this manual might have changed style or count due to the product being redesigned. So in rare cases the part may no longer be included or of a different style. However, if you think you are missing a part that is necessary to the assembly and use of your product, then first carefully double check all packaging for any parts you think are missing. Some parts might be hiding in the packaging or loose in an inner box.

COMPANY INFORMATION AND SUPPORT

THANK YOU FOR YOUR PURCHASE

Thank you for purchasing the Griffin Guitar Rack. Your product comes with a 1 year factory warranty from purchase date. Please read all assembly instructions prior to assembling your new cart. Pictures that may aid in assembly can be found by going to www.griffin-stands.com and typing AP34063 / AP34075 / AP34087 into the search bar.

Griffin™ stands and accessories are manufactured in several innovative factories responsible for developing products that address the newest needs and trends of the current market. We take pride in the Griffin™ brand and endeavor to be on the forefront of the musical stands and musical and lighting accessories market.



Griffin | 11408 Hwy 64 W, Tyler, TX 75704 |
info@griffin-stands.com | www.Griffin-Stands.com



Guitar Rack User Manual Model# AP34063 / AP34075 / AP34087



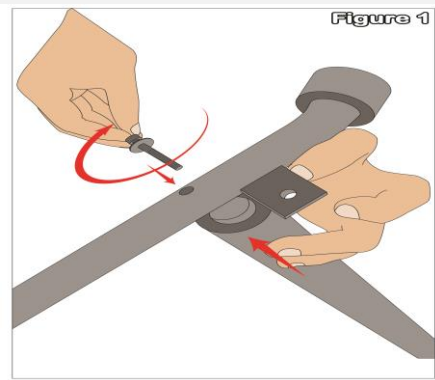
Why did we put a tire on front of the manual?

To make you read this→ This stand must be installed properly. Which means, you must only hand tighten all bolts/nuts 1st and must be in a star pattern order just like if you were to change a tire. 2nd -Then in star pattern use a wrench to tighten bolts to 80%. 3rd -Finally, In star pattern tighten all bolts to 100%.

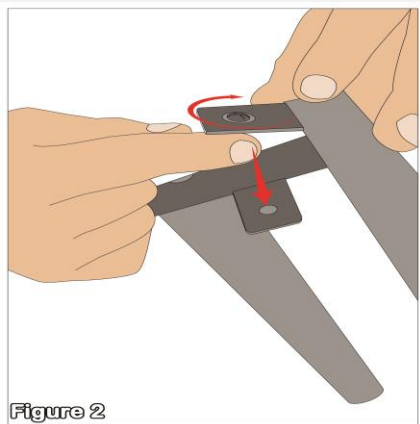
If you do not follow the proper tightening procedure above, your stand will be wobbly or uneven. If you return stand claiming it is "wobbly" or "unstable" then we will reassemble it to confirm "user error." Don't be a "user error" 😊

ASSEMBLY INSTRUCTIONS

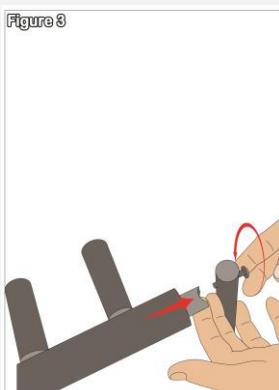
Step 1 – Take the bottom “U” Shaped tube (Part A) and connect to the bottom support tube with foam (Part B) using the bolts as shown in **Figure 1**.



Step 2 **Figure 2** shows the square support tube without foam (Part C) being connected to the adjacent square with hole of the bottom “U” shaped tube.

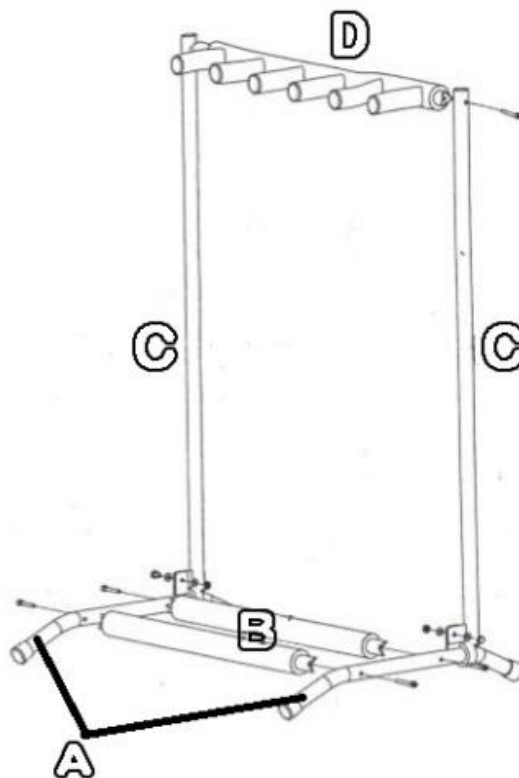


Step 3 – Now take the top bar (Part D) with hooks and foam then screw to the top of the square support tube (without foam) as shown in **Figure 3**.



Step 4 – For safety reasons, please always make sure to test the stability and safety of the product before use. Double check all nuts and bolts, knobs and connectors, make sure that these are tight and securely fastened before use of your product. Test the product under light use or light loads the first time to confirm assembly and structure of the product is correct.

Figure 4



Step 5 – Please note that hardware bolts to assemble the stand maybe screwed into the parts themselves. So, for example, if you are missing a bolt that goes into the bottom base support tube, then look at the end of the bottom base support tube and you will see that hardware bolt is already screwed into the stand. All you need to do is unscrew that bolt and then screw it back in to assemble the two parts that connect on that end. If the stand is wobbly loosen up each bolt on the stand slightly. Then tighten up 1 bolt all the way as much as it will tighten. After that start on the next bolt that is completely opposite of the 1st bolt that you tightened. For example, if you first tightened up the bolt in the top right of the stand, then next start to tighten up the bolt on the bottom left. Keep going in order of the opposite bolt that you tightened up last. Once you are done, repeat the process of going through and tightening up the bolts one more time.

ASSEMBLY AND DEMONSTRATION VIDEO

Please scan the QR Code below for the product demonstration video. Or go to the URL shown here and find the product video. www.Griffin-Stands.com/Videos



Scan me