

## PRODUCT SPECIFICATIONS

For current product specifications, please go to [www.griffin-stands.com](http://www.griffin-stands.com) and type the model number into the search bar. Locate the product listing to view the current factory specifications.

## TROUBLE SHOOTING

**Performance Issue, Uneven or Unstable-** Make sure all nuts and bolts are tight on the product. If they are, then loosen all nuts and bolts 1 full turn counter-clockwise, then go back and tighten each bolt only ½ turn tight. Then do a final tighten turn for another ½ turn tight. Next, Make sure there are not any missing nuts or bolts. Third, ensure all parts on the product are not broken or defective. Finally, Re-read the assembly instructions or watch the product demonstration video to ensure you have correctly assembled or are using the product properly with factory specifications.

**Missing Parts-** The pictures, videos and images shown in this manual might have changed style or count due to the product being redesigned. So in rare cases the part may no longer be included or of a different style. However, if you think you are missing a part that is necessary to the assembly and use of your product, then first carefully double check all packaging for any parts you think are missing. Some parts might be hiding in the packaging or loose in an inner box.

## COMPANY INFORMATION AND SUPPORT

### THANK YOU FOR YOUR PURCHASE

Thank you for purchasing the Griffin Studio Microphone Boom Stand. Your product comes with a 1 year factory warranty from purchase date. Please read all assembly instructions prior to assembling your new cart. Pictures that may aid in assembly can be found by going to [www.griffin-stands.com](http://www.griffin-stands.com) and typing APST01 into the search bar.

Griffin™ stands and accessories are manufactured in several innovative factories responsible for developing products that address the newest needs and trends of the current market. We take pride in the Griffin™ brand and endeavor to be on the forefront of the musical stands and musical and lighting accessories market.



Griffin | 11408 Hwy 64 W, Tyler, TX 75704 |  
[info@griffin-stands.com](mailto:info@griffin-stands.com) | [www.Griffin-Stands.com](http://www.Griffin-Stands.com)



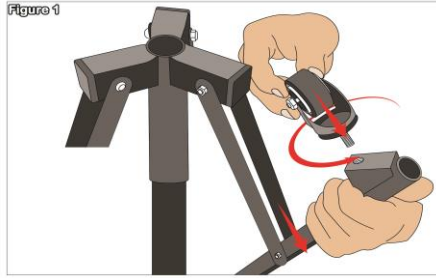
## User Manual Model# APST01



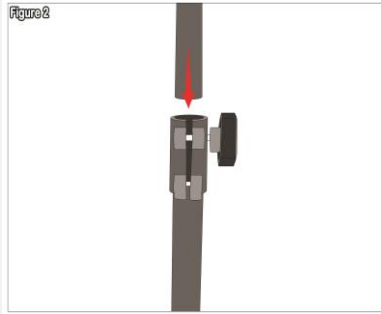
## Studio Microphone Boom Stand

## ASSEMBLY INSTRUCTIONS

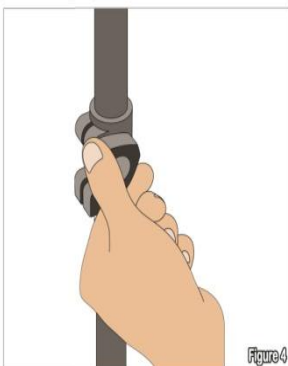
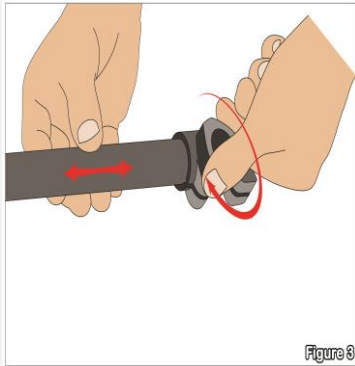
**Step 1** – Take the stand and turn it upside down, spread the legs. By doing this you will have more leverage in spreading the legs wider. Turn the stand upside down take the wheels and screw on the bottom of each leg. (See **Figure 1**). Make to screw in tightly by using a wrench and even with all three wheels so the stand wont wobble and will not be leaning to one side.



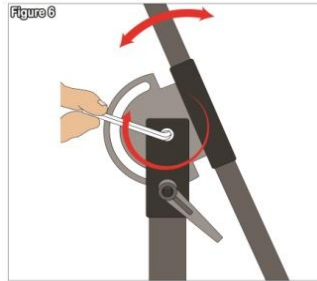
**Step 2** – Turn the stand right side up and slide the middle pipe through the middle. Secure this by turning the knob on the shaft. (See **Figure 2**)



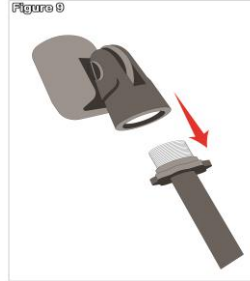
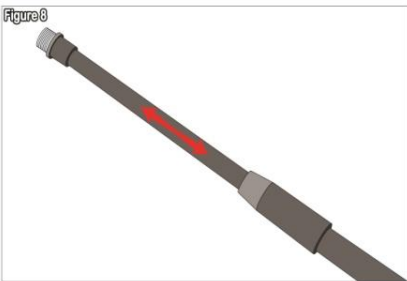
**Step 3** – Take the boom pipe and unscrew the knob so that the boom pipe can be adjusted through as shown in **Figure 3**. Tighten the knob back to secure (See **Figure 4**).



**Step 4** – With the boom pipe assembled, place it on top of the stand assembly by screwing it in together with the turn knob as shown in **Figure 5** and **6**. With this assembled, the turn knob controls the angle of the boom pipe and the knob on the boom pipe can be loosened to adjust the length of the boom. (See **Figure 7**)

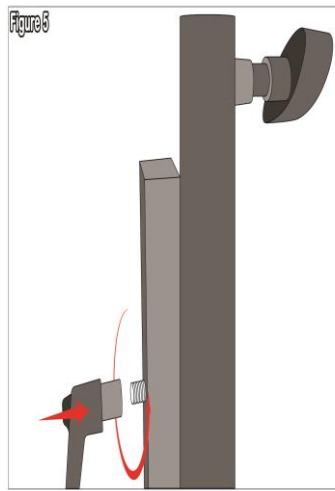


**Step 5** - Take the tip of the boom pipe (extension) and insert through the pipe of the boom, this will allow you to mount the mic. Just screw in the mic handle at the tip as shown in **Figure 8**.

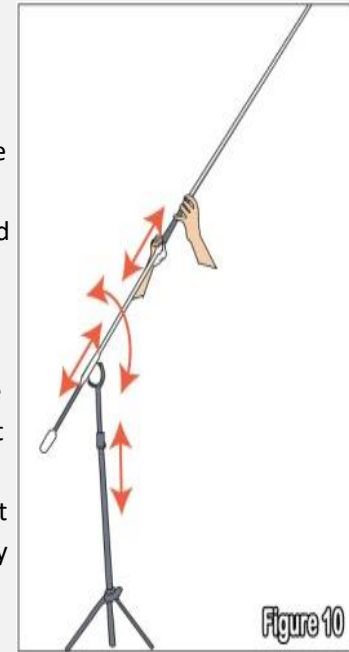


**Step 6** – **Figure 9** above shows how to screw in the microphone clip. Use a microphone clip or shock mount to mount your microphones.

**Step 7** – **Figure 10** shows the adjusting points of the stand. The main stand has a handle to adjust the stands height, the turn knob adjusts the angle, the knob near the turn knob allows you to pull and push the main boom pipe and near the top is an extending boom pipe as well.



**Step 8** – For safety reasons, please always make sure to test the stability and safety of the product before use. Double check all nuts and bolts, knobs and connectors, make sure that these are tight and securely fastened before use of your product. Test the product under light use or light loads the first time to confirm assembly and structure of the product is correct.



To ensure stability make sure the front of the boom is placed over a leg of the tripod. This type of microphone boom stand comes with a counter weight. If your stand is wobbly or unstable, make sure that the legs are spread wide or adjust the boom arm the opposite way and bring down the height.

## ASSEMBLY AND DEMONSTRATION VIDEO

Please scan the QR Code below for the product demonstration video. Or go to the URL shown here and find the product video. [www.Griffin-Stands.com/Videos](http://www.Griffin-Stands.com/Videos)

