

## PRODUCT SPECIFICATIONS

For current product specifications, please go to [www.griffin-stands.com](http://www.griffin-stands.com) and type the model number into the search bar. Locate the product listing to view the current factory specifications.

## TROUBLE SHOOTING

**Performance Issue, Uneven or Unstable-** Make sure all nuts and bolts are tight on the product. If they are, then loosen all nuts and bolts 1 full turn counter-clockwise, then go back and tighten each bolt only ½ turn tight. Then do a final tighten turn for another ½ turn tight. Next, Make sure there are not any missing nuts or bolts. Third, ensure all parts on the product are not broken or defective. Finally, Re-read the assembly instructions or watch the product demonstration video to ensure you have correctly assembled or are using the product properly with factory specifications.

**Missing Parts-** The pictures, videos and images shown in this manual might have changed style or count due to the product being redesigned. So in rare cases the part may no longer be included or of a different style. However, if you think you are missing a part that is necessary to the assembly and use of your product, then first carefully double check all packaging for any parts you think are missing. Some parts might be hiding in the packaging or loose in an inner box.

## COMPANY INFORMATION AND SUPPORT

### THANK YOU FOR YOUR PURCHASE

Thank you for purchasing the Portable Mixer Cart. Your product comes with a 1 year factory warranty from purchase date. Please read all assembly instructions prior to assembling your new cart. Pictures that may aid in assembly can be found by going to [www.griffin-stands.com](http://www.griffin-stands.com) and typing AP3212 into the search bar.

Griffin™ stands and accessories are manufactured in several innovative factories responsible for developing products that address the newest needs and trends of the current market. We take pride in the Griffin™ brand and endeavor to be on the forefront of the musical stands and musical and lighting accessories market.



## User Manual Model# AP3212



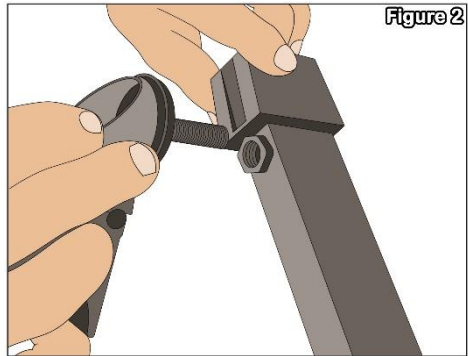
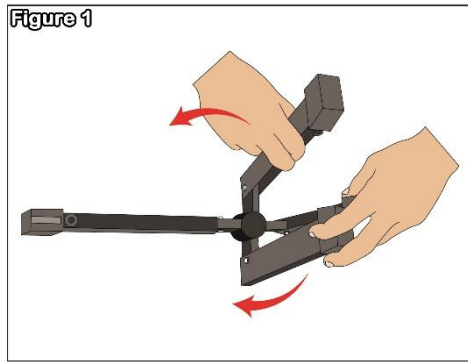
Griffin | 11408 Hwy 64 W, Tyler, TX 75704 |  
[info@griffin-stands.com](mailto:info@griffin-stands.com) | [www.Griffin-Stands.com](http://www.Griffin-Stands.com)



## Portable Mixer Cart

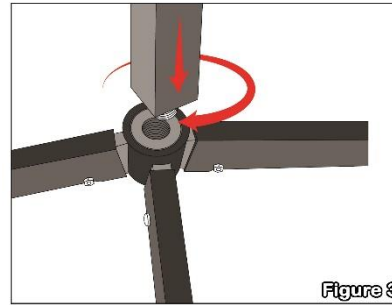
## ASSEMBLY INSTRUCTIONS

**Step 1** - Locate the leg assembly (F) and open the legs then screw in the 4 casters and tighten using a wrench as seen on **Figure 1** & **Figure 2**.

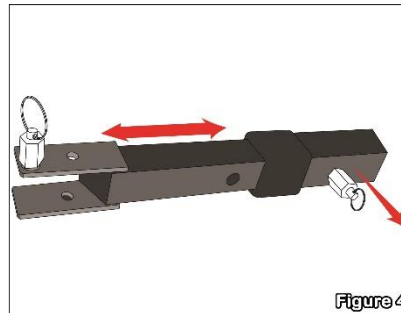


Make sure to not over tighten and all casters are leveled. Uneven casters may result in the cart being wobbly and/or unstable. Please note that two of the casters have locking wheels (G). These are the casters with the tab. These should be screwed into opposing legs. The wheels are locked by pushing down on the tab. (NOTE: Failure to unlock the wheels before moving the stand can damage the casters and the braking mechanism.) Make sure to screw the casters all the way in. If the stand is not sitting level after attaching the casters, unscrew one (or two) of the casters on the side of the stand which is leaning to and screw back again the casters to raise that side of the stand.

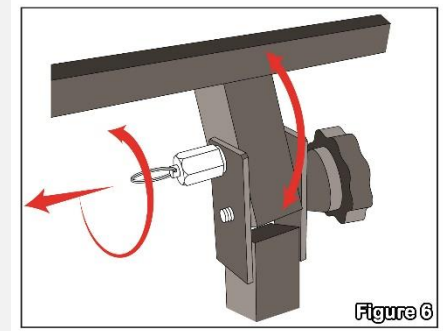
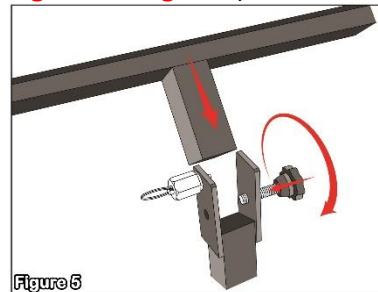
**Step 2** – Take the main post (E) and screw in the center stand tightly to the leg assembly (f), loose main post may also result in the cart being unstable (see **Figure 3**).



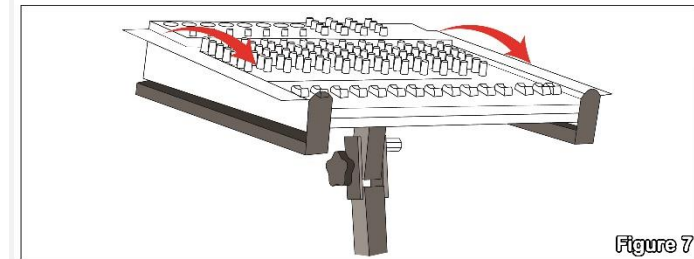
**Step 3** – Take the chrome center piece (I) that goes in the main post, pull the locking pin (J) and insert the chrome center piece. Make sure that the holes in the chrome post align with the locking pin, turn the locking pin (you will hear a click sound) to lock it in place. For additional security of the product tighten the knob (J) on the main post (see **Figure 4**).



**Step 4** – At the top of the chrome center piece another locking pin (L) is located pull and place the top mount (A). Insert the knob nut (D) and the knob handle (C) on the other side then adjust to your preferred angle and tighten. Once you reach your preferred angle turn the locking pin to secure the angle. (see **Figure 5** & **Figure 6**)



**Step 5** – Felt pads are placed on the mount to protect the mixer. Stick the felt pads on the mount before placing your mixer. (see **Figure 7**)



## ASSEMBLY AND DEMONSTRATION VIDEO

Please scan the QR Code below for the product demonstration video. Or go to the URL shown here and find the product video. [www.Griffin-Stands.com/Videos](http://www.Griffin-Stands.com/Videos)



Scan me